



# Why FlatwareSaver?

1. 4 times more effective than magnets!
2. Saves SS, 18/8, 18/10, silver, etc.
3. **Saves ramekins too!**
4. Payback in 10 to 90 days\*
5. Easy to operate, easy to clean
6. Will not slow down operations
7. Rugged design
8. Fits 32 or 44 gal trash cans
9. 30 day money-back guarantee
10. 12 month limited warranty

\* Based on current customer usage

## Testimonials:

### Commander's Palace, Director of Operations:

"...our silverware loss has been reduced 82% as compared to the same 3 months last year"

### Rockfish Seafood Grill, General Manager:

"...proved to be much more effective than all other things we tried. We'll never operate without one now."

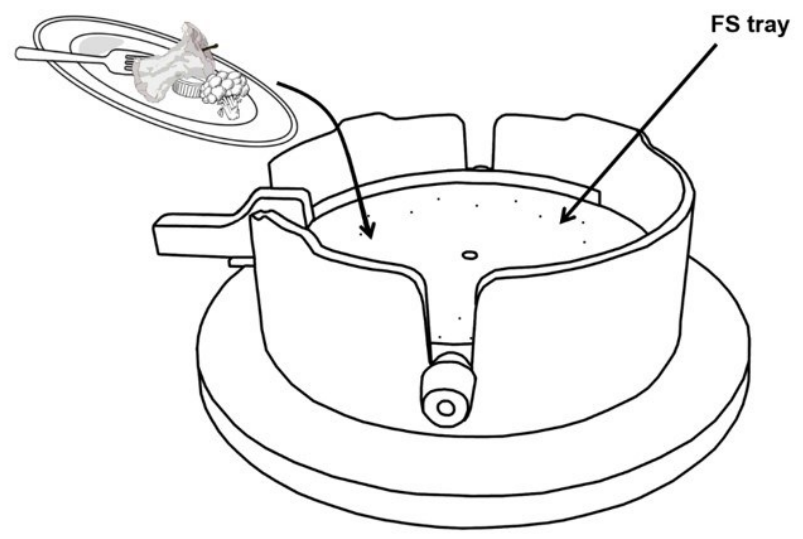
### W Hotel, Director of Food & Beverage:

"...even when things are really busy, it's a tool we can use easily."

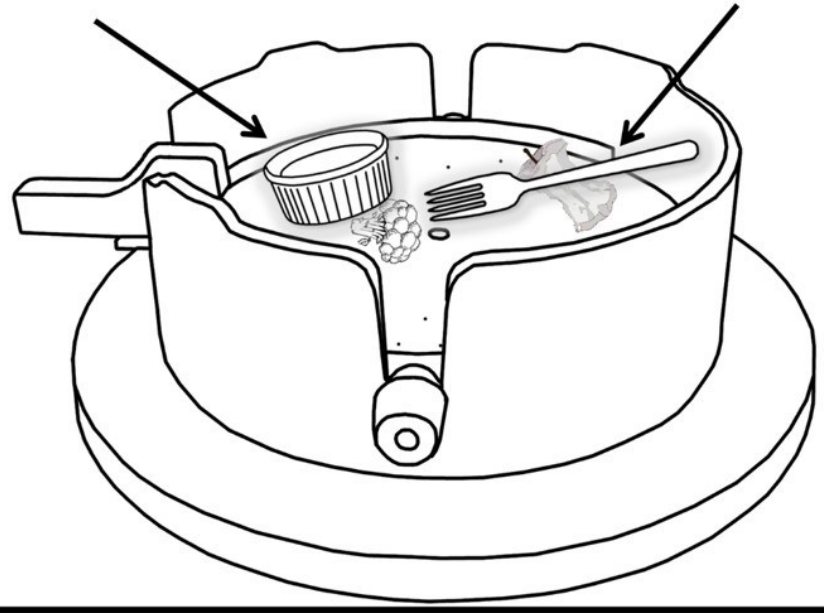
## More Satisfied Customers:

- ◇ Landry's
- ◇ Golden Corral
- ◇ Hard Rock Café
- ◇ Friendly's Restaurants
- ◇ Loew's Hotel

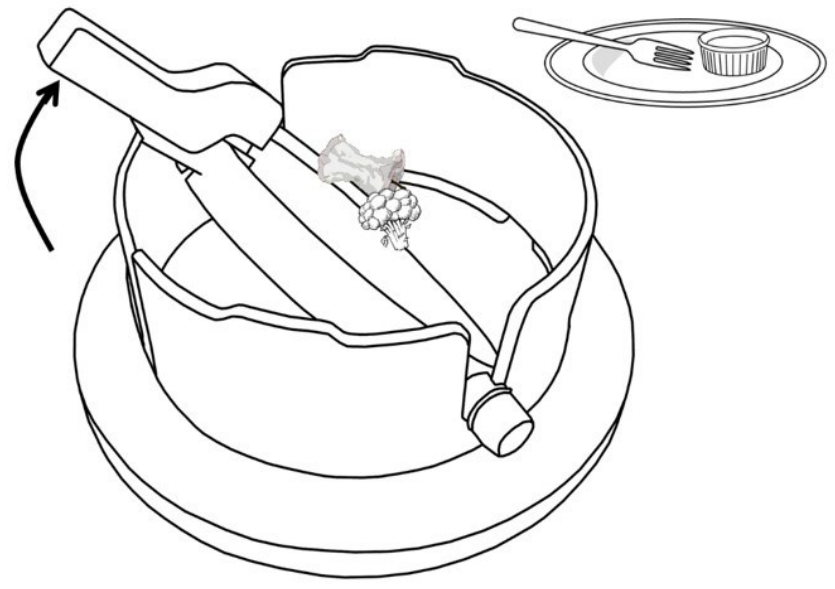
**1 Scrape all table scraps onto FS tray**



**2 Look for and remove valuables**



**3 Lift handle to dispose**



**4 Always return tray to original position**

